

Hermetic Avant

Technical datasheet

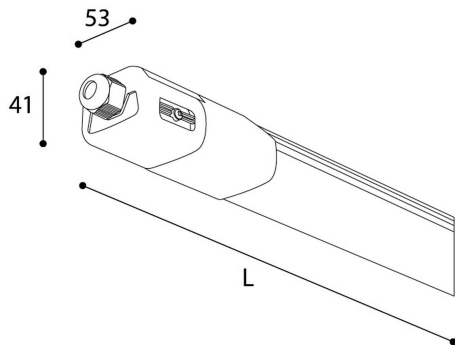
Industrial
Ref. DV60S



Surface
Mounting



Dimensions (mm):



Industrial: Hermetic Avant. Diffuser: Frosted polycarbonate. Color: White.

Gross lumen output	7500 lm
Net lumen output	6000 lm
Color temperatures (K)	4000
CRI	80
Hours Life L80B10 *	34.000h L80B10
Hours Life L70B10 **	54.000h L70B10
Macadam ellipses	3
Beam angle	135
Photobiological security	0
Power consumption (W)	60
Power (W)	54
Voltage	220-240V 50/60Hz
Power factor	0,95
Class	II
IP	66
IK	08
Weight (Kg)	0,615
Operating temperature (°C)	-20 to 40
Energy efficiency	C

* Variable UGR according to project
* Photobiological safety = 0/1: Risk free

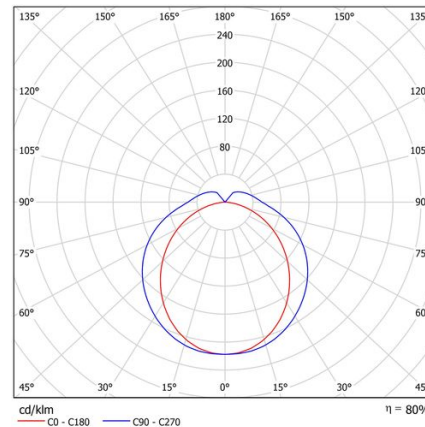
Photometric data:

Separación [m]	Díámetro cónico [m]	E(0°)	E(C90)	E(CD)	Intensidad luminica [lx]
0.5	2.45 1.23	5223 141	67.8° 141	50.9° 655	
1.0	4.90 2.46	1306 35	67.8° 35	50.9° 164	
1.5	7.35 3.69	580 16	67.8° 16	50.9° 73	
2.0	9.80 4.92	326 9	67.8° 9	50.9° 41	
2.5	12.25 6.15	209 6	67.8° 6	50.9° 26	
3.0	14.70 7.38	145 4	67.8° 4	50.9° 18	

— C0 - C180 (Semángulo de dispersión: 101.8°)
— C90 - C270 (Semángulo de dispersión: 135.6°)

* The manufacturer reserves the right to make changes in the design and / or technical specifications.

* Guarantee expendable to 5 years depending of the project. Consult conditions.



* L80B10 indicates that, after 34.000 hours of functioning, 90% of the luminaires will have a lumen output of at least 80% of the initial value. In other words, only 10% of the luminaires will perform under the 80% of the initial value.
** L70B10 indicates that, after 54.000 hours of functioning, 90% of the luminaires will have a lumen output of at least 70% of the initial value. In other words, only 10% of the luminaires will perform under the 70% of the initial value.